

# Hebei Xukang Meter Manufacturing Co., Ltd

B49H-1.6~2.5G, 4.0G, 6.4G, 10G 双色石英玻璃管水位计

Double Color Glass Tube Level Gauge



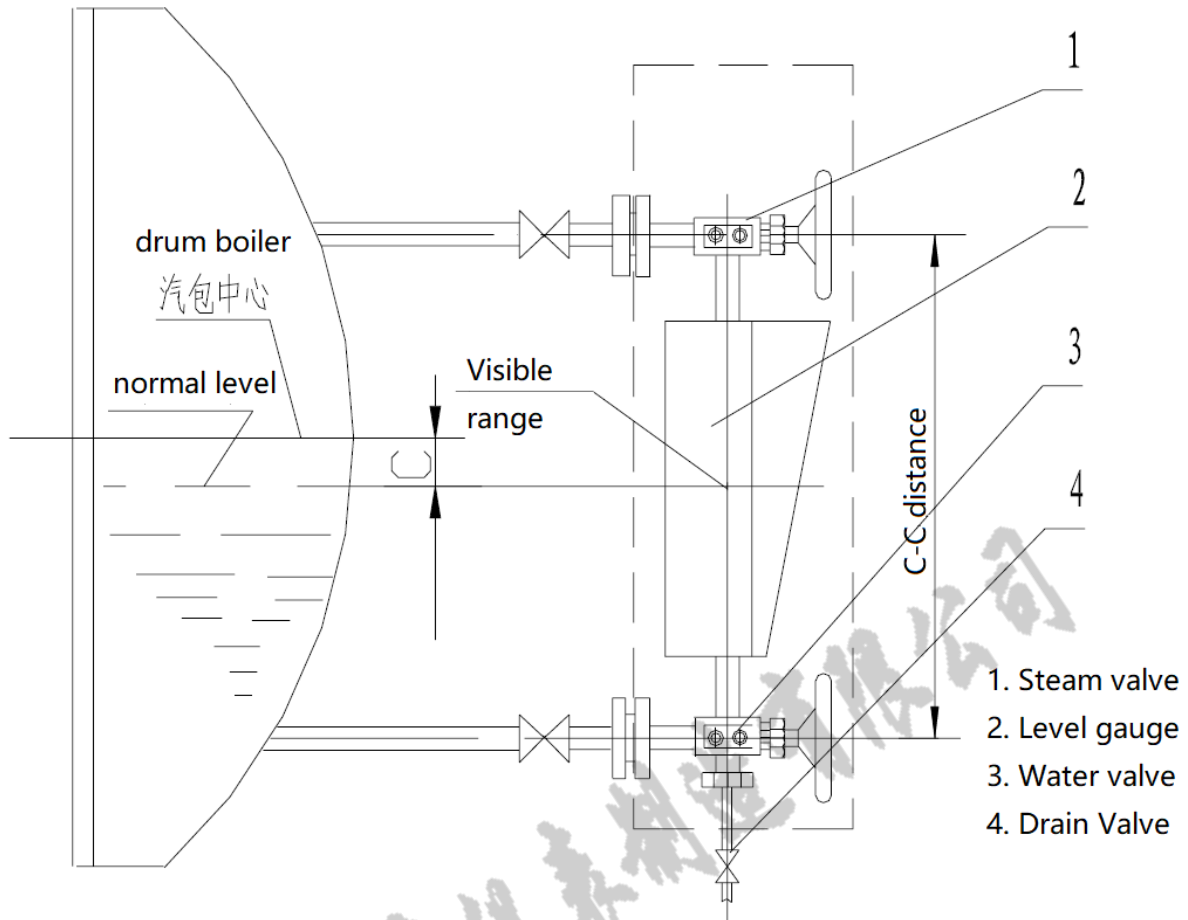
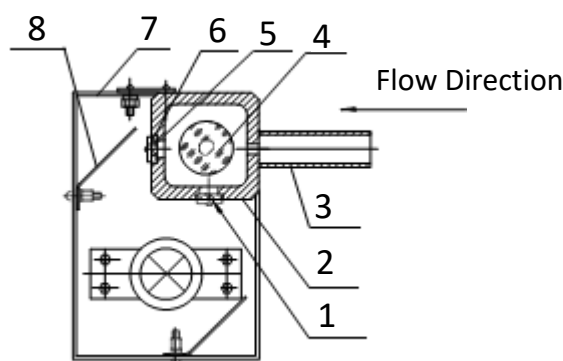
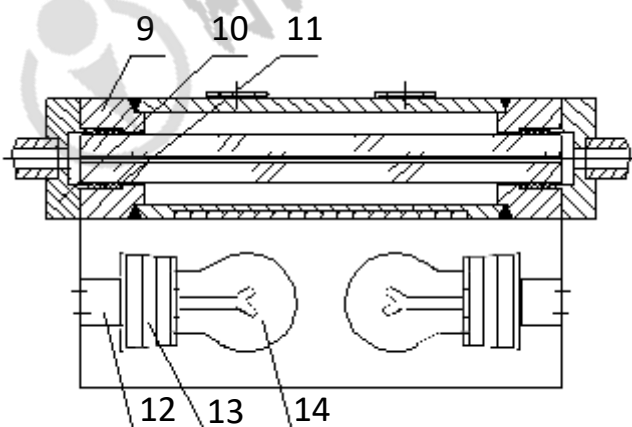


图 1-1 双色液位计结构安装示意图

Schematic diagram of structural installation of two-color level meter

## Technique Information

公称压力(PN) <b>Nominal Pressure</b>	2.5 MPa	4.0 MPa	6.4 MPa	10 MPa
工作温度(°C) <b>Process Temperature</b>	≤450C, or 600C	≤450C, 600C	≤450C, or <600C	≤450C or <600C
可视长度(mm) <b>Visible length</b>	200—1400—2300			340、500
水汽接口中心距(mm) <b>Center to center distance</b>	400—1800—3000mm 注：1800 以上为两段组合式 400-1800-3000mm Note: 1800mm-3000mm is 2 section			600mm、800mm
玻璃管外径尺寸(mm) <b>Glass tube OD</b>	双色Φ29、单色Φ20 Double color tube size OD29mm; natural color tube size OD20mm		双色Φ29 单色Φ20 Double color tube size OD29mm; natural color tube size OD20mm	
水汽接口法兰标准 <b>Flange standard</b>	JB82.1-94	DN25	JB82.2-94	DN20
光源 <b>Voltage supply</b>	白炽灯 220V/100W 或 60W (单色无光源) 半导体发光组件 Incandescent lamp 220V/100W or 60W (if natural color, no lamp); Semiconductor luminous components			
材质 <b>Material</b>	碳钢, 不锈钢 Carbon Steel or stainless steel			



- |                        |                               |                          |                           |
|------------------------|-------------------------------|--------------------------|---------------------------|
| <b>1. RED GLASS</b>    | <b>2. GAUGE BODY</b>          | <b>3. WINDOWS COVER</b>  | <b>4. QUARTZ TUBE</b>     |
| <b>5. GREEN GLASS</b>  | <b>6. GLASS COVER PLATE</b>   | <b>7. LIGHT COVER</b>    | <b>8. REFLECTOR PLATE</b> |
| <b>9. END COVER</b>    | <b>10. PRESS COVER</b>        | <b>11. GRAPHITE RING</b> | <b>12. BRACKET</b>        |
| <b>13. LAMP HOLDER</b> | <b>14. INCANDESCENT LAMP.</b> |                          |                           |

1.红玻璃 2.表体 3.观察罩 4.半圆石英管 5.绿玻璃 6.玻璃压片 7.光源罩 8.反光板 9.端盖 10.压盖 11.石墨环 12.支架 13.瓷灯座 14.白炽灯